

5405 Series

USB 3.0 A Type Upright Dip Type

Ordering Information

5405 - XX8 - 0X1 - XX

Contact Area Plating:
0: Gold Flash/Tin
5: 15u" Gold/Tin
3: 30u" Gold/Tin

Packing Type: 1- Tray



Specification

Material:

- ◆ **Insulator:**
Thermoplastic UL 94V-0
Color: Blue
- ◆ **Contact:** Copper Alloy
- ◆ **Shell:** Stainless Steel

Electrical:

- ◆ **Dielectric Withstanding Voltage:**
100VAC Min.
- ◆ **Contact Resistance:**
VBUS and GND contacts: 30 mΩ max.
Other Contacts: 50 mΩ max.
- ◆ **Insulation Resistance:**
100 MΩ Min.

Mechanical:

- ◆ **Insertion Force:** 35N Max.
- ◆ **Withdrawal Force:** 10N Min.

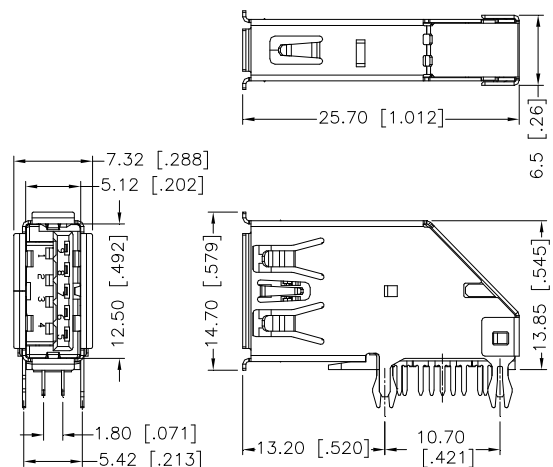
Environmental:

- ◆ **Temperature range:** -20°C to +85°C

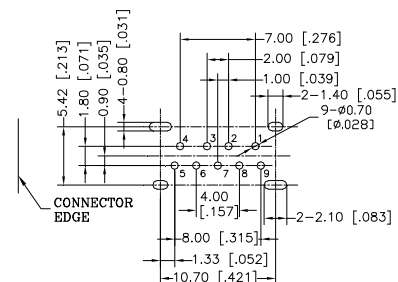
❖ The above ordering data is for our standard products. For Non-Standard products, please contact us.

Drawing

5415-XX8-0X1-XX Series



RECOMMENDED P.C.B. LAYOUT



| Pin No. | 1 | 2 | 3 | 4 | 5 | 6 | 7 | 8 | 9 |
|-------------|------------------|----|----|-----|-------|------------------|-----------|-------|-------|
| Signal Name | VBUS | D- | D+ | GND | SSRX- | SSRX+ | GND_DRAIN | SSTX- | SSTX+ |
| Remark | USB2 CONTACT PIN | | | | | USB3 CONTACT PIN | | | |

* ALL DIMENSIONS ARE SHOWN IN mm/in