

5300 Series

HDMI RECEPTACLE R/A SHORT BODY
SMT TYPE 19PIN WITH POST

Ordering Information

5300 - X19 - 122 - 71

Contact Area Plating:

0:Gold/Flash/Tin

5:15u"Gold/Tin

3:30u"Gold/Tin

Shell Plating:

50u" Ni Underplating ,

100u" Tin Plating at solder Area

No of Contact : 19Pin

71 : LEAD-FREE

Packing Type:2- Reel

12:Tail :R/A SMT Type

Shell:DIP Type with Flange

Housing:With post



Dimensions

Specification

Material:

◆ Insulator:

Thermoplastic UL 94V-0

Color : Black

◆ Contact: Copper Alloy

◆ Shell : Copper Alloy

Electrical:

◆ Contact Current Rating: 0.5 A.

◆ Rated voltage:40V AC.

◆ Dielectric Withstanding Voltage:

500V AC

◆ Contact Resistance:

Contact (30 Milliohms Max.)

Shell (50 Milliohms Max.)

◆ Insulation Resistance:

100 Megaohms Min.(Unmated)

10 Megaohms Min.(Mated)

Mechanical:

◆ Insertion Force:4.5Kg^f (MAX)

◆ Withdrawal Fore: 0.5 Kg^f ~ 4.0 Kg^f

◆ Durability : 10,000 Cycles.

Enviromental:

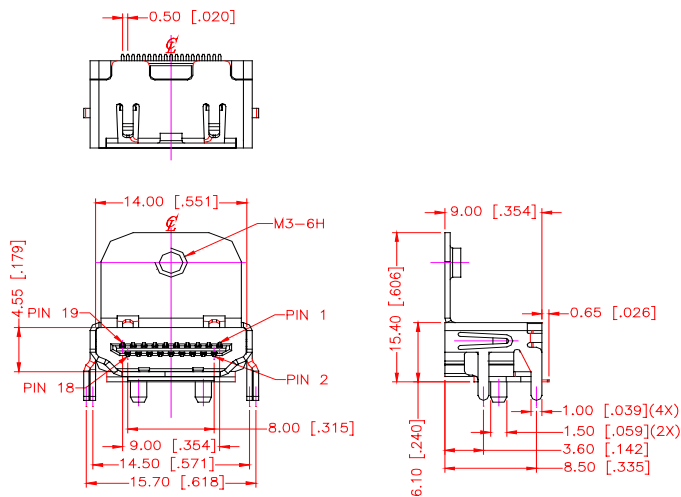
◆ Temperature range: -20°C to + 85°C

◆All Dimensions are shown in in/mm.

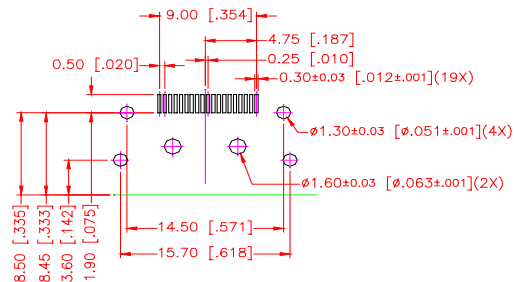
◆The above ordering data is for our standard products.

For Non-Standard products, please contact
TEKCON Electronics Corporation.

5300-X19-122-71 Series Dimensions



RECOMMENDED P.C.B. LAYOUT



* ALL DIMENSIONS ARE SHOWN IN in/mm.