

5427 Series

USB Type C R/A Top Mount Dual Row SMT

Ordering Information

5427 - X0A - 0XX - H1

Contact Area Plating:
0: Gold Flash/Tin
3: 30u"Gold Plated/Tin

Halogen Free



Specification

Material:

- ◆ **Insulator:**
Thermoplastic UL 94V-0
Color: Black
- ◆ **Contact:** Copper Alloy
- ◆ **Shell:** Stainless Steel

Electrical:

- ◆ **Contact Current Rating:**
VBUS and GND Contacts Rated at 1.25A EA.,
Paralleled for a Total of 5A
- ◆ **Rated voltage:** 5V Max.
- ◆ **Dielectric Withstanding Voltage:**
100VAC Min.
- ◆ **Contact Resistance:**
40mΩ Max. for VBUS, GND and Other Contacts
50mΩ Max. after Environment Test.
- ◆ **Insulation Resistance:**
100 MΩ Min.

Mechanical:

- ◆ **Insertion Force:** 5~20N
- ◆ **Withdrawal Force:** 8~20N

Environmental:

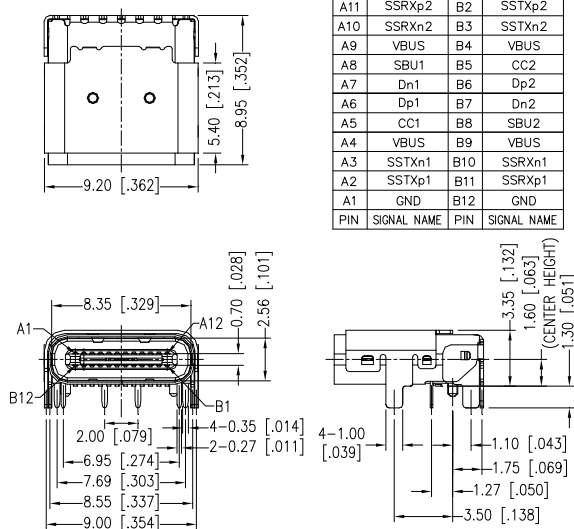
- ◆ **Temperature range:** -55°C to +85°C

❖ The above ordering data is for our standard products. For Non-Standard products, please contact us.

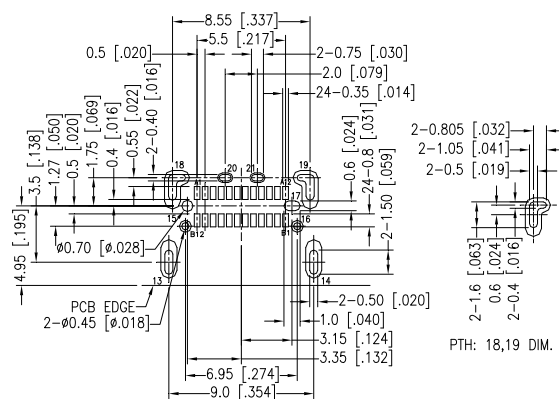
Drawing

5427-X0A-0XX-H1 Series

A12	GND	B1	GND
A11	SSRXp2	B2	SSTXp2
A10	SSRXn2	B3	SSTXn2
A9	VBUS	B4	VBUS
A8	SBU1	B5	CC2
A7	Dn1	B6	Dp2
A6	Dp1	B7	Dn2
A5	CC1	B8	SBU2
A4	VBUS	B9	VBUS
A3	SSTXn1	B10	SSRXn1
A2	SSTXp1	B11	SSRXp1
A1	GND	B12	GND
PIN	SIGNAL NAME	PIN	SIGNAL NAME



RECOMMENDED P.C.B. LAYOUT



* ALL DIMENSIONS ARE SHOWN IN mm/in